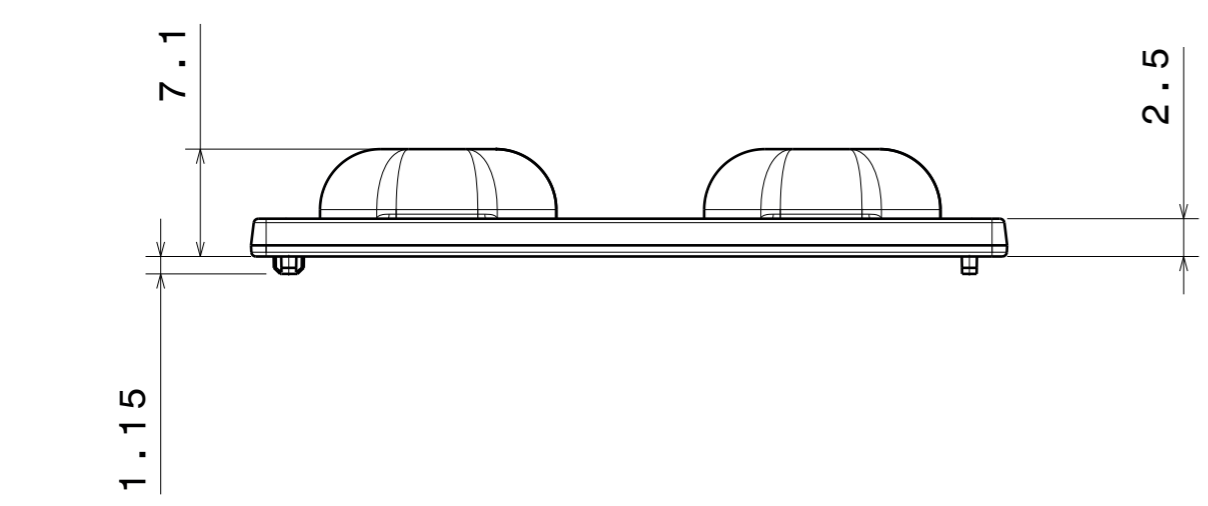
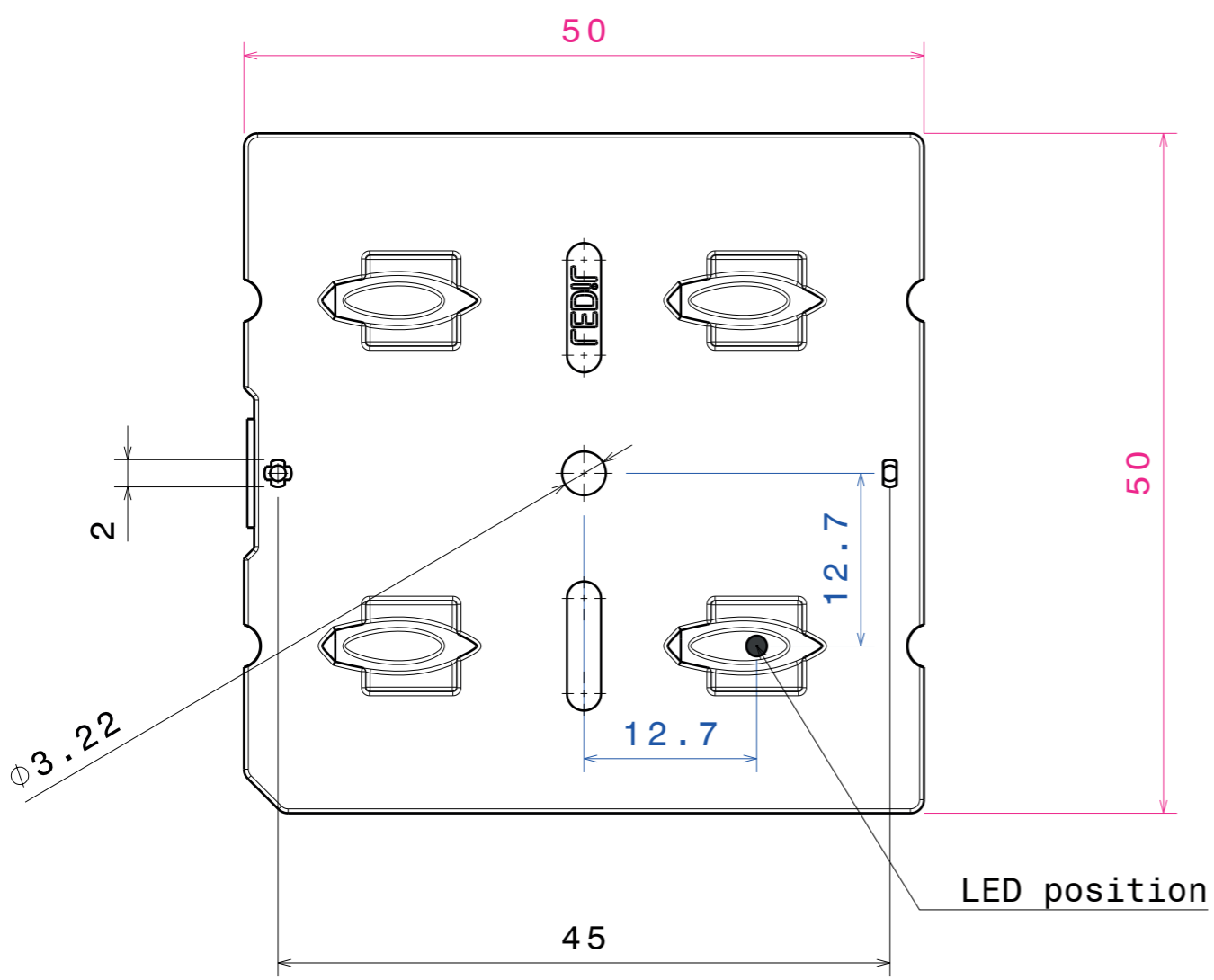
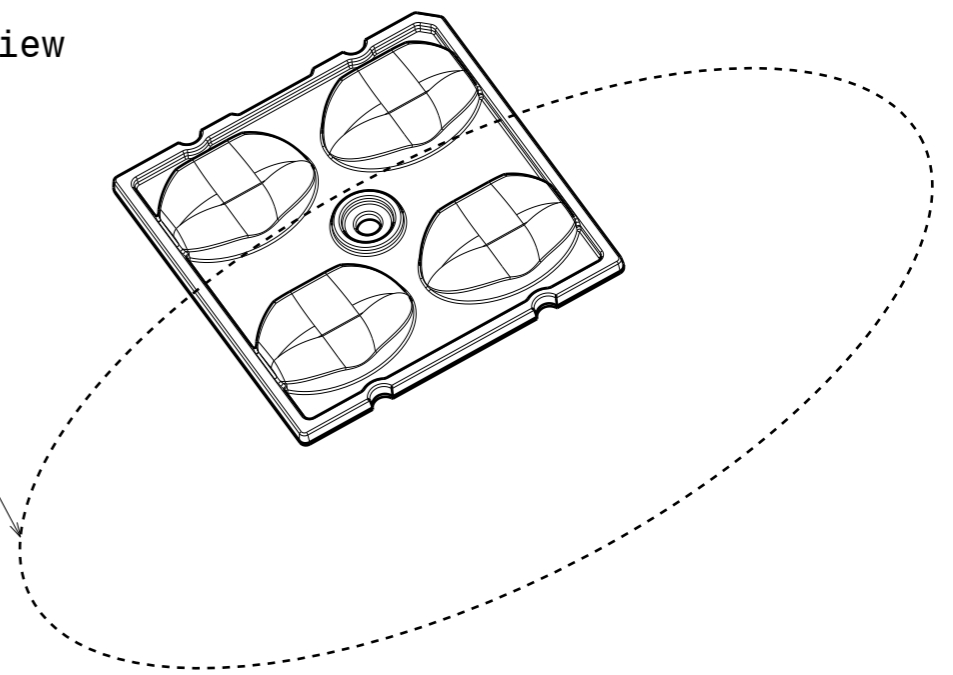


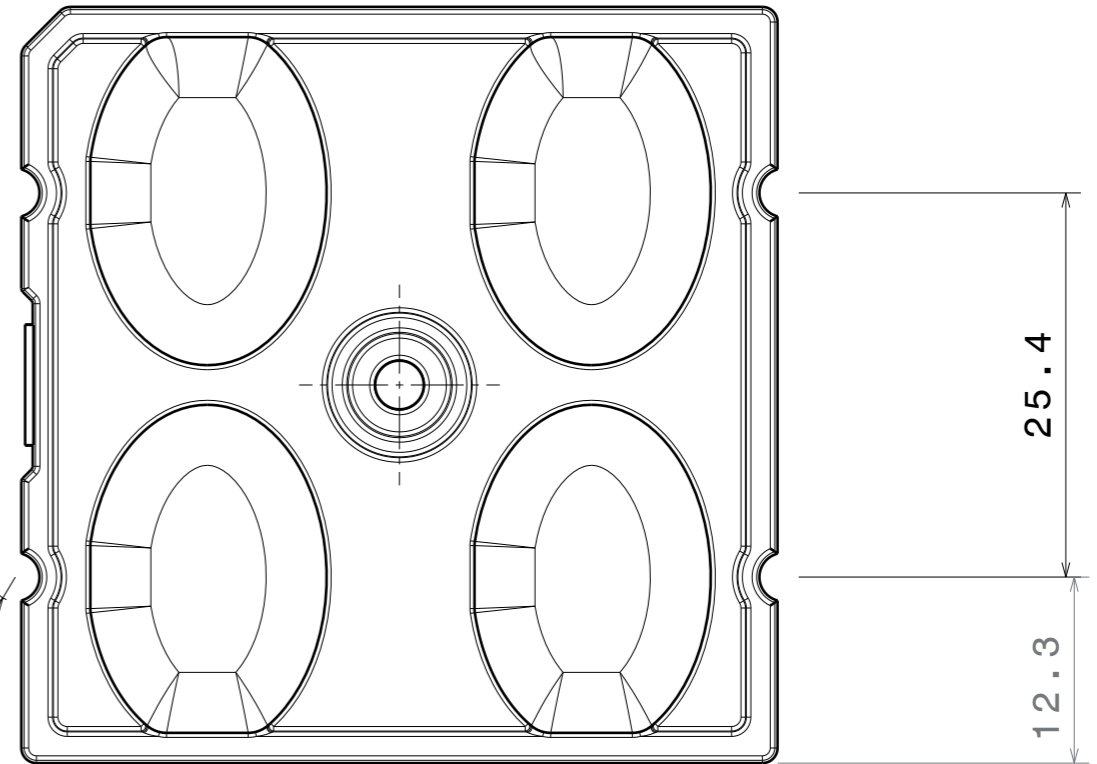
H G F E D C B A




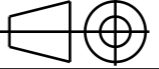
Isometric view



Beam direction



R1.6

Plastic moulding general tolerances according to DIN 16901-130 and applies if not otherwise shown in the drawing. Silicone moulding general tolerances according to ISO 3302-1 Class M3 and applies if not otherwise shown in the drawing.		 Ledil Oy Salorankatu 10 FIN 24240 SALO Finland	
THIRD ANGLE PROJECTION: 		DRAWING TITLE Datasheet STRADA_2X2_XW	
This drawing is the property of LEDiL Oy. It may not be reproduced, copied or communicated without a written agreement with LEDiL Oy."		SIZE A3	PART NUMBER -
SCALE 2:1		WEIGHT (g)	SHEET 1/1

H G B A